

ILIX NORM

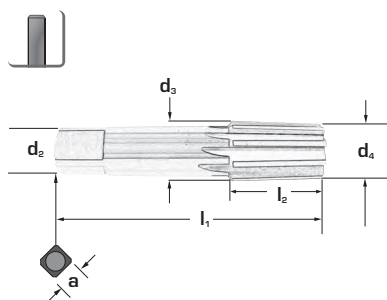


Kegel-Reibahlen mit Zylinderschaft, aus HSS Kegel 1 : 16

Taper reamers with straight shank, made of HSS taper 1 : 16

Kernloch **NPT - NPTF**

Geradegenutet / Straight Flutes



Form / Form

Typ / Type

Schneidrichtung
Cutting direction

Schneidstoff
Material



Ø mm	l ₁ mm	l ₂ mm	d ₂ mm	d ₃ mm	d ₄ mm	a h11	Z	6310
1/16"	70	17	6	6,998	5,935	4,5	6	●
1/8"	70	17	8	9,105	8,042	6,3	6	●
1/4"	80	27	11	11,996	10,308	9,0	6	●
3/8"	85	27	12	15,416	13,728	10,0	8	●
1/2"	95	35	16	19,126	16,938	12,5	8	●
3/4"	105	35	20	24,411	22,253	16,0	10	●
1"	130	43	25	30,684	27,996	20,0	10	●
1 1/4"	140	44	32	39,471	36,721	25,0	12	●
1 1/2"	150	45	36	45,604	42,791	28,0	12	●
2"	160	46	48	57,678	54,803	35,5	14	●

● Standardartikel / Items available ex stock